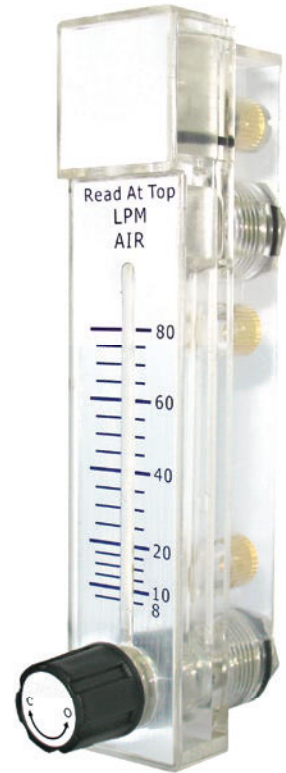
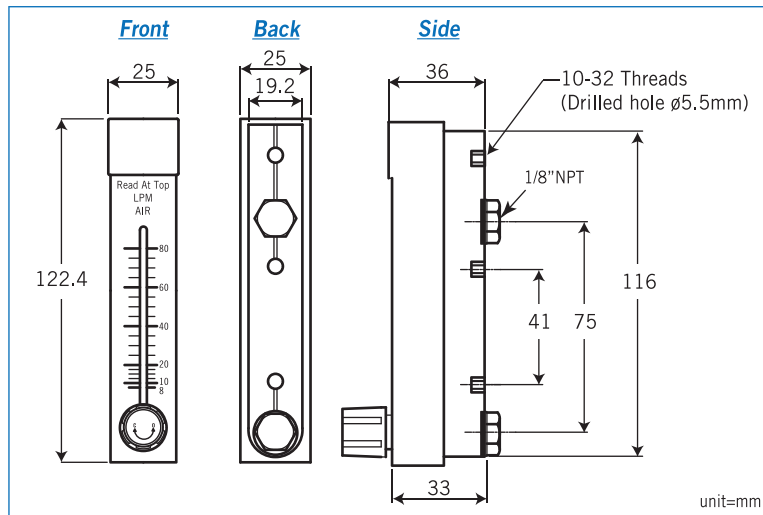


# PLASTIC FLOW METER MBC SERIES

## Technical Data

**Service:** gas & liquid  
**Wetted parts material:** Body- Polycarbonate (PC);  
 O-Ring- Viton (standard); Float- SS316, POM Plastic  
**Valve material:** SS316  
**Connection material:** SS316  
**Connection size:** 1/8"NPT female  
**Pressure limit:** 150 psig (10bar) @100°F (38°C)  
**Temperature limit:** -10°C~+60°C  
**Accuracy:** ±3% full scale  
**Mounting:** vertical position  
**Weight:** 75 g

## Dimensions



## Range Table & Ordering Information

### A. Fluid Type: Water

Item	Flow Range	Float Material	Flow Unit	Needle Valve	Ordering Code
1	10~100	SS316	cc/min, cc per Minute	with	MBC-V-S-W-100-C
2	25~250	POM	cc/min, cc per Minute	with	MBC-V-P-W-250-C
3	30~300	POM	cc/min, cc per Minute	with	MBC-V-P-W-300-C
4	50~500	POM	cc/min, cc per Minute	with	MBC-V-P-W-500-C
5	100~1000	SS316	cc/min, cc per Minute	with	MBC-V-S-W-1000-C
6	0.6~6	SS316	LPH, Litter per Hour	with	MBC-V-S-W-6-LH
7	0.8~8	POM	LPH, Litter per Hour	with	MBC-V-P-W-8-LH
8	1.5~15	POM	LPH, Litter per Hour	with	MBC-V-P-W-15-LH
9	2~20	POM	LPH, Litter per Hour	with	MBC-V-P-W-20-LH
10	2.5~25	POM	LPH, Litter per Hour	with	MBC-V-P-W-25-LH
11	3~30	POM	LPH, Litter per Hour	with	MBC-V-P-W-30-LH
12	5~50	SS316	LPH, Litter per Hour	with	MBC-V-S-W-50-LH
13	8~80	SS316	LPH, Litter per Hour	with	MBC-V-S-W-80-LH
14	15~150	SS316	LPH, Litter per Hour	with	MBC-V-S-W-150-LH
15	20~200	SS316	LPH, Litter per Hour	with	MBC-V-S-W-200-LH
16	25~250	SS316	LPH, Litter per Hour	with	MBC-V-S-W-250-LH

### B. Fluid Type: Water

Item	Flow Range	Float Material	Flow Unit	Needle Valve	Ordering Code
1	0.2~2	POM	GPH, Gallon (us) per Hour	with	MBC-V-P-W-2-GH
2	0.5~5	POM	GPH, Gallon (us) per Hour	with	MBC-V-P-W-5-GH
3	0.8~8	POM	GPH, Gallon (us) per Hour	with	MBC-V-P-W-8-GH
4	1.3~13	SS316	GPH, Gallon (us) per Hour	with	MBC-V-S-W-13-GH
5	2~20	SS316	GPH, Gallon (us) per Hour	with	MBC-V-S-W-20-GH
6	4~40	SS316	GPH, Gallon (us) per Hour	with	MBC-V-S-W-40-GH
7	5~50	SS316	GPH, Gallon (us) per Hour	with	MBC-V-S-W-50-GH
8	6.5~65	SS316	GPH, Gallon (us) per Hour	with	MBC-V-S-W-65-GH

## C. Fluid Type: Air

Item	Flow Range	Float Material	Flow Unit	Needle Valve	Ordering Code
1	50~500	POM	cc/min, cc per Minute	with	MBC-V-P-A-500-C
2	70~700	POM	cc/min, cc per Minute	with	MBC-V-P-A-700-C
3	0.1~1	POM	LPM, Normal Litter per Minute	with	MBC-V-P-A-1-LM
4	100~1000	POM	cc/min, cc per Minute	with	MBC-V-P-A-1000-C
5	0.2~2	POM	LPM, Normal Litter per Minute	with	MBC-V-P-A-2-LM
6	0.25~2.5	SS316	LPM, Normal Litter per Minute	with	MBC-V-S-A-2.5-LM
7	0.4~4	SS316	LPM, Normal Litter per Minute	with	MBC-V-S-A-4-LM
8	0.5~5	SS316	LPM, Normal Litter per Minute	with	MBC-V-S-A-5-LM
9	0.6~6	SS316	LPM, Normal Litter per Minute	with	MBC-V-S-A-6-LM
10	1~10	POM	LPM, Normal Litter per Minute	with	MBC-V-P-A-10-LM
11	1.5~15	POM	LPM, Normal Litter per Minute	with	MBC-V-P-A-15-LM
12	2.5~25	SS316	LPM, Normal Litter per Minute	with	MBC-V-S-A-25-LM
13	2.5~25	POM	LPM, Normal Litter per Minute	with	MBC-V-P-A-25-LM
14	3~30	POM	LPM, Normal Litter per Minute	with	MBC-V-P-A-30-LM
15	4~40	SS316	LPM, Normal Litter per Minute	with	MBC-V-S-A-40-LM
16	4~40	POM	LPM, Normal Litter per Minute	with	MBC-V-P-A-40-LM
17	5~50	SS316	LPM, Normal Litter per Minute	with	MBC-V-S-A-50-LM
18	7~70	SS316	LPM, Normal Litter per Minute	with	MBC-V-S-A-70-LM
19	8~80	SS316	LPM, Normal Litter per Minute	with	MBC-V-S-A-80-LM
20	10~100	SS316	LPM, Normal Litter per Minute	with	MBC-V-S-A-100-LM
Item	Flow Range	Float Material	Flow Unit	Needle Valve	Ordering Code
21	12~120	POM	LPH, Normal Litter per Hour	with	MBC-V-P-A-120-LH
22	25~250	SS316	LPH, Normal Litter per Hour	with	MBC-V-S-A-250-LH
23	35~350	SS316	LPH, Normal Litter per Hour	with	MBC-V-S-A-350-LH
24	60~600	POM	LPH, Normal Litter per Hour	with	MBC-V-P-A-600-LH
Item	Flow Range	Float Material	Flow Unit	Needle Valve	Ordering Code
25	0.1~1	POM	NM <sup>3</sup> /H, Normal Cubic Meter per Hour	with	MBC-V-P-A-1-MH
26	0.15~1.5	SS316	NM <sup>3</sup> /H, Normal Cubic Meter per Hour	with	MBC-V-S-A-1.5-MH
27	0.2~2	POM	NM <sup>3</sup> /H, Normal Cubic Meter per Hour	with	MBC-V-P-A-2-MH
28	0.25~2.5	SS316	NM <sup>3</sup> /H, Normal Cubic Meter per Hour	with	MBC-V-S-A-2.5-MH
29	0.4~4	SS316	NM <sup>3</sup> /H, Normal Cubic Meter per Hour	with	MBC-V-S-A-4-MH
30	0.5~5	SS316	NM <sup>3</sup> /H, Normal Cubic Meter per Hour	with	MBC-V-S-A-5-MH
31	0.6~6	SS316	NM <sup>3</sup> /H, Normal Cubic Meter per Hour	with	MBC-V-S-A-6-MH
Item	Flow Range	Float Material	Flow Unit	Needle Valve	Ordering Code
32	0.5~5	POM	SCFH, Standard Cubic Feet per Hour	with	MBC-V-P-A-5-SH
33	1~10	SS316	SCFH, Standard Cubic Feet per Hour	with	MBC-V-S-A-10-SH
34	1.2~12	SS316	SCFH, Standard Cubic Feet per Hour	with	MBC-V-S-A-12-SH
35	2~20	POM	SCFH, Standard Cubic Feet per Hour	with	MBC-V-P-A-20-SH
36	3~30	POM	SCFH, Standard Cubic Feet per Hour	with	MBC-V-P-A-30-SH
37	5~50	SS316	SCFH, Standard Cubic Feet per Hour	with	MBC-V-S-A-50-SH
38	7~70	POM	SCFH, Standard Cubic Feet per Hour	with	MBC-V-P-A-70-SH
39	8~80	SS316	SCFH, Standard Cubic Feet per Hour	with	MBC-V-S-A-80-SH
40	14~140	SS316	SCFH, Standard Cubic Feet per Hour	with	MBC-V-S-A-140-SH
41	16~160	SS316	SCFH, Standard Cubic Feet per Hour	with	MBC-V-S-A-160-SH
42	20~200	SS316	SCFH, Standard Cubic Feet per Hour	with	MBC-V-S-A-200-SH