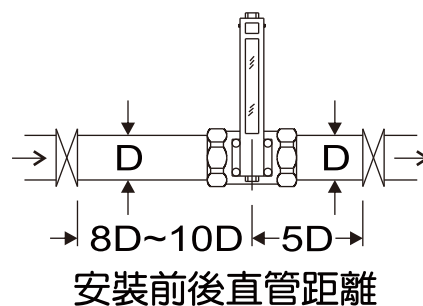
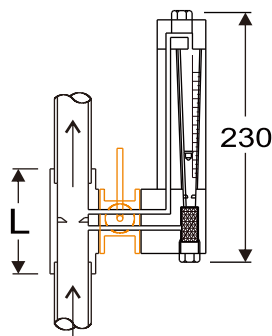
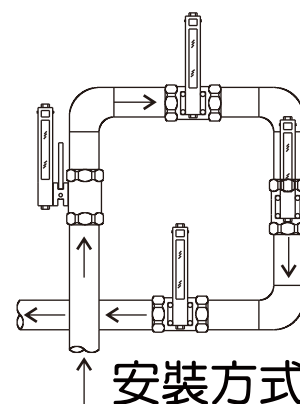
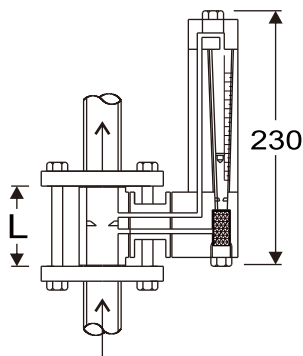


消防面積式流量計

Model H-700A-DPP



Model H-700A-DPF

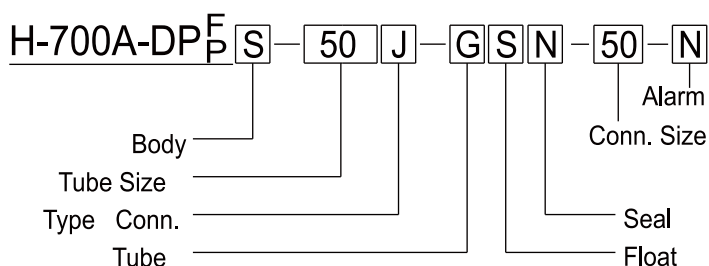


ORDERING INFORMATION

Body Material	Connection Type	Tube Material	Float Material	Seal Material
S SS304	J JIS 10K	G GLASS	S SS304	N NEOPRENE
W SS316	A ANSI 150LB	P PC	W SS316	
I CS	P PT			
	N NPT			
	O OTHER			

Connection Size		Alarm Switch	
25 1"	80 3"	N	NONE
32 1 1/4"	100 4"	H	HI
40 1 1/2"	125 5"	L	LO
50 2"	150 6"	A	HI LO
65 2 1/2"			

Tube Size	Normal Standard Range		L (mm)	
	WATER	L/MIN	最小刻劃	L/MIN
25	35-180	5	DPP	DPF
32	70-360	10	100	50
40	110-550	20	100	50
50	220-1100	50	120	50
65	450-2200	100	120	50
80	700-3300	100	120	50
100	900-4500	100	160	50
125	1200-6000	200		50
150	2000-10000	200		50
200	3000-13000	200		50



NOTE: (1)各尺寸流量，均可以依客戶需求訂製
(2) MODEL H-700DPP只製作到 4"

SPECIFICATIONS

Max. Temperature	60-100°C
Max. Pressure	6-20 kg/cm ² G
Accuracy	± 3% F.S