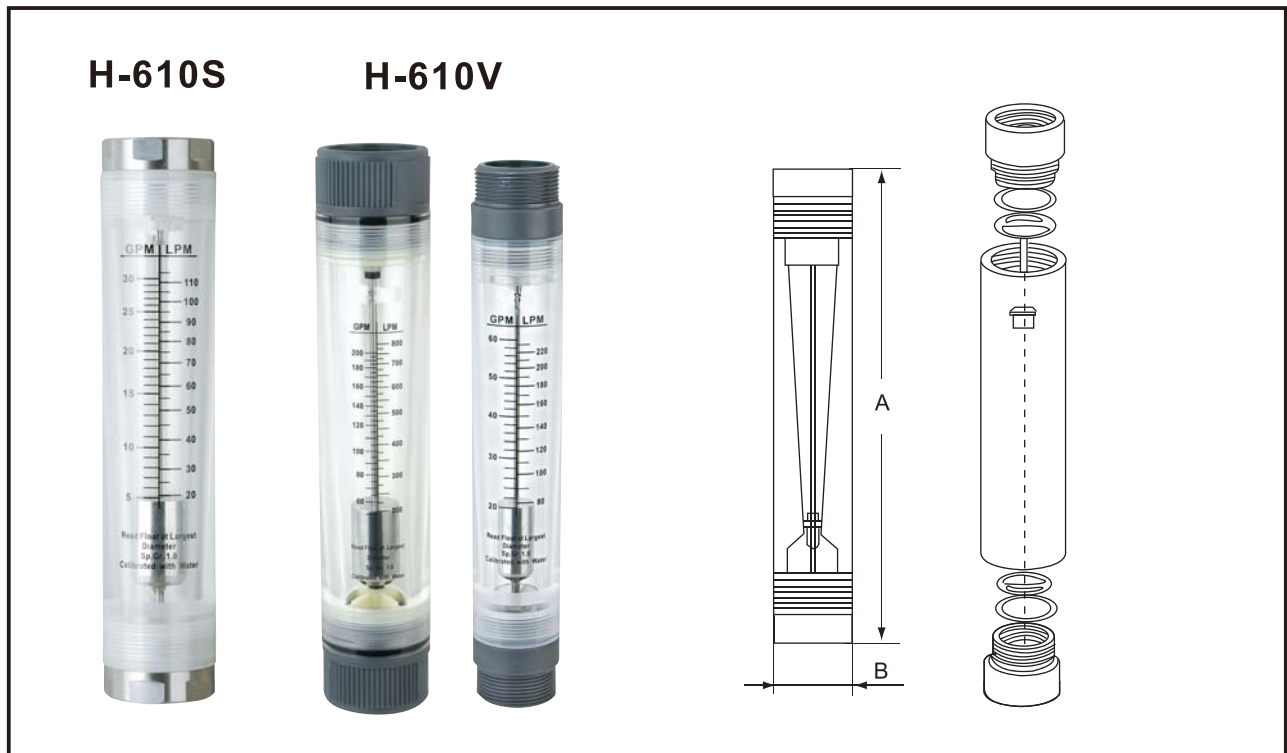


# Model H-610S/610V 管道式流量計



## SPECIFICATIONS

Model	Measure Range		Thread (F/BSP)	Weight (Kg)	Working Pressure	Accuracy	Temperature (°C)
	GPM	LPM					
1	0.2~2	1~7	1/2"	0.2	≤6Bar	±6%	≤55
2	0.5~5	1.8~18	1/2"				
3	1~10	4~36	3/4"				
4	2~20	10~70	1"				
5	5~30	20~110	1"	0.65			
6	20~60	80~220	1½" Male				
7	30~110	100~400	2"	1.4			
8	50~150	180~600	2"				
9	60~200	200~800	2"				

## DIMENSIONS

Model	1	2	3	4	5	6	7	8	9
A	210	210	278	265	265	306	345	345	345
B	32	32	45	51	51	51	75	75	75